

**LEGEND**

- ELECTRICAL SERVICES SWITCHBOARD.
- SWITCHBOARD / CONTROL PANEL NOT PROVIDED AS PART OF THE ELECTRICAL SUBCONTRACT.
- SINGLE POWER OUTLET.
- DOUBLE POWER OUTLET.
- SPECIAL PURPOSE POWER OUTLET.
- SIGNAGE CONNECTION.
- SINGLE PHASE ISOLATOR.
- THREE PHASE ISOLATOR.
- HAND DRYER CONNECTION.
- FLOOR BOX, TYPE AS NOTED.
- SERVICES DUCT, TYPE AS NOTED.
- RELOCATED ELECTRICAL SERVICES AS NOTED.
- PROXIMITY DETECTOR.
- LIGHTING CONTROL SWITCH PANEL x.
- ONE-WAY LIGHT SWITCH.
- TWO-WAY LIGHT SWITCH.
- CIRCUIT LINE.
- SWITCH LINE.
- POWER CIRCUIT DESIGNATION. DENOTES DB AND CIRCUIT.
- LIGHTING CONTROL CHANNEL REFERENCE.
- ELECTRICAL EQUIPMENT AS NOTED.
- RJ45 COMMUNICATIONS OUTLET.
- ELECTRIC STRIKE.
- FUSE.
- SINGLE PHASE.
- THREE PHASE.
- CURRENT TRANSFORMER C/W REMOVABLE LINK.
- FUSE LINK.
- COMBINED FUSE SWITCH.
- CIRCUIT BREAKER.
- ISOLATOR.
- RESIDUAL CURRENT DEVICE.
- CONTACTOR - NORMALLY OPEN.
- CONTACTOR - NORMALLY CLOSED.
- REFER TO DETAIL NOTED FOR THE AREA SHOWN HATCHED. ADDITIONAL OUTLETS & FITTINGS MAY BE SHOWN ON DETAIL.
- E1: RECESSED LED EMERGENCY LIGHT.
- E2: SUSPENDED CAN LED EMERGENCY LIGHT.
- EX: EMERGENCY LED EXIT LIGHT.
- EX WP: EMERGENCY WEATHERPROOF LED EXIT LIGHT.
- Lx: LIGHT FITTING C/W NON-MAINTAINED EMERGENCY BATTERY PACK. TYPE AS NOTED.
- L1: OVERHEAD CUPBOARD SPLASHBACK LED STRIP LIGHT.
- L2: 600 x 600 T-BAR LED FLAT PANEL.
- L3: 300 x 1200 T-BAR LED FLAT PANEL.

**LEGEND**

- L4: 600 x 600 RECESSED PLASTER BOARD LED FLAT PANEL.
- L5: 300 x 1200 RECESSED PLASTER BOARD LED FLAT PANEL.
- L6: CIRCULATION RECESSED DALI DIMMABLE DOWNLIGHT.
- L7: DECORATIVE SWITCH PENDANT.
- L8: RECESSED SWITCHED DOWNLIGHT.
- L9: RECESSED DALI DIMMABLE DOWNLIGHT.
- L10: SUSPENDED BULKHEAD SWITCHED LED MODULE LIGHT BOX.
- L11: AMENITY SWITCHED DOWNLIGHT.
- L12: EXISTING DISPLAY JOINERY LIGHT RELOCATED.
- L13: UNDER COUNTER STRIP LIGHT.
- L14: BAR PELMET STRIP LIGHT.
- L15: CEILING COFFER STRIP LIGHT.
- L16: COUNTER PELMET STRIP LIGHT.
- L17: CEILING FEATURE LED LIGHTS.
- L18: DECORATIVE PENDANT.
- L19: DECORATIVE PENDANT.
- L20: DECORATIVE PENDANT.
- L21: DECORATIVE WALL LIGHT.
- L22: DECORATIVE WALL LIGHT.
- L23: DECORATIVE WALL LIGHT.
- L24: DECORATIVE WALL LIGHT.
- L25: DECORATIVE WALL LIGHT.
- L26: DECORATIVE WALL LIGHT.
- L27: SURFACE TRACK C/W SPOT LIGHTS.
- L28: SURFACE TRACK C/W SPOT LIGHTS.
- L29: SURFACE TRACK C/W SPOT LIGHTS.
- L30: CEILING PELMET STRIP LIGHT.
- L31: RECESSED DOWNLIGHT, HIGH OUTPUT.
- L32: RECESSED DOWNLIGHT, MEDIUM OUTPUT.
- L33: FUNCTION ROOM RECESSED DOWNLIGHT.
- L34: REAR BAR DISPLAY STRIP LIGHT.
- L35: EXISTING DOWNLIGHT TO REMAIN AS IS.
- L36: VANITY MIRROR STRIP LIGHT.
- L37: DOWNLIGHT, LOW OUTPUT.
- L38: ADJUSTABLE CAN DOWNLIGHT.
- L39: SURFACE CAN DOWNLIGHT.
- L40: BRICK LIGHT.
- L41: FLOOR MOUNTED PENDANT.
- L42: STAIR TREAD LIGHT.
- L43: COUNTER LED STRIP LIGHT.
- L44: ENTRY DOWNLIGHT.
- L45: EXISTING WALL LIGHT TO BE REPLACED.
- FL1: FESTOON LIGHTING.
- CF1: CEILING FAN TYPE 1.

**LEGEND**

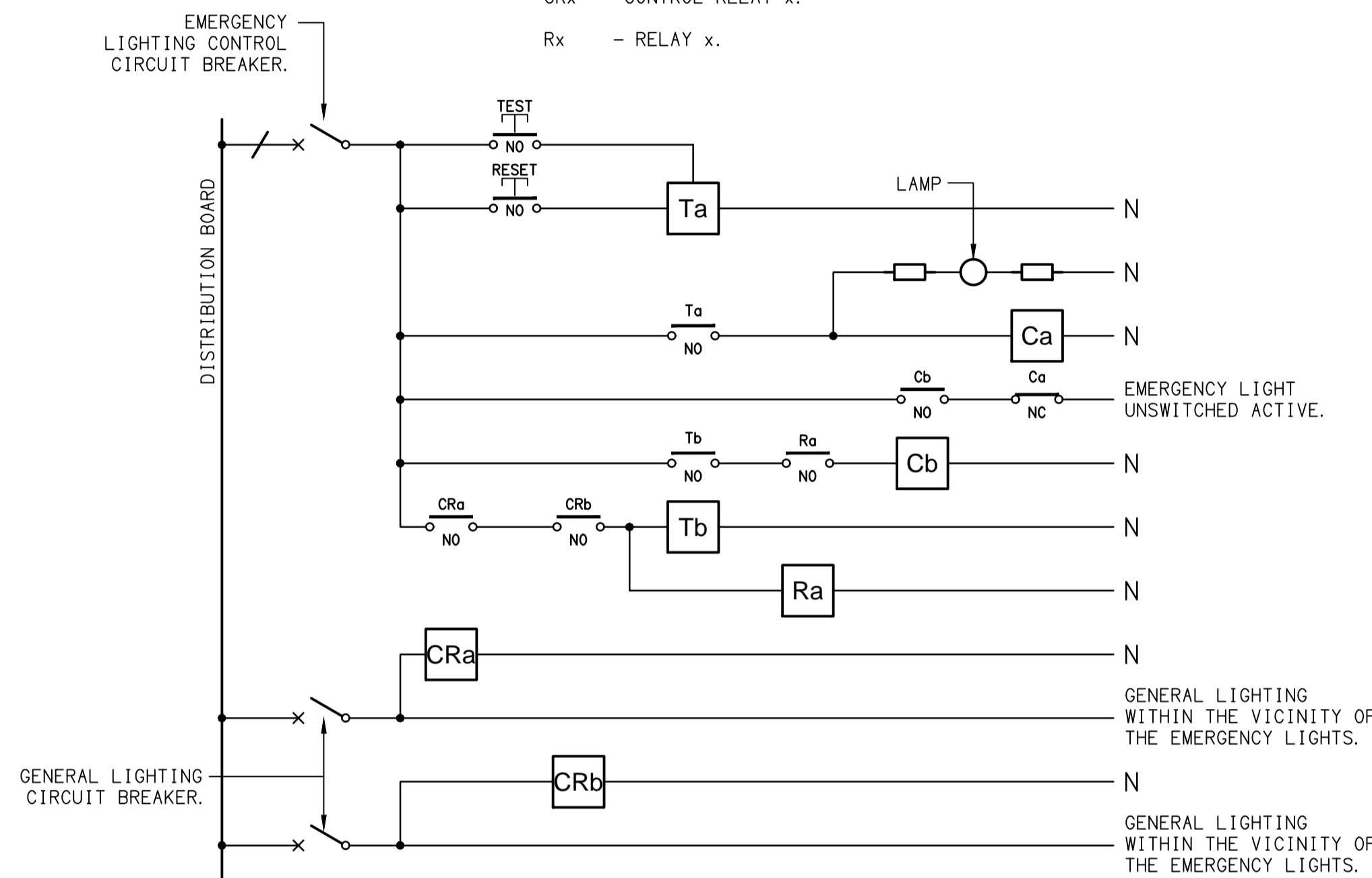
- H1: 1125 LONG LINEAR SUSPENDED HEAT LAMP, UPPER SERVERY SHELF.
- H2: 1125 LONG LINEAR SUSPENDED HEAT LAMP, LOWER SERVERY SHELF.
- H3: 1725 LONG LINEAR SUSPENDED HEAT LAMP, UPPER SERVERY SHELF.
- H4: 1725 LONG LINEAR SUSPENDED HEAT LAMP, LOWER SERVERY SHELF.
- H5: PENDANT HEAT LAMP.
- H6: LINEAR HEAT LAMP, LOWER SERVERY SHELF.
- H7: AREA HEATER, BEAM MOUNTED.
- H8: AREA HEATER, SUSPENDED.

**NOTE**  
ALL ELECTRICAL PENETRATIONS THROUGH THE ROOF SHEETING ARE TO BE IN LINE WITH THE STRUCTURAL OR MECHANICAL SERVICES PENETRATIONS TO AVOID DEDICATED FLASHINGS FOR THE ELECTRICAL SERVICES.

THE COPYRIGHT OF THIS DRAWING REMAINS THE PROPERTY OF THE ELECTRICAL DESIGN GROUP.  
USE FIGURED DIMENSIONS IN PREFERENCE TO SCALE.  
ALL DIMENSIONS TO BE VERIFIED ONSITE.

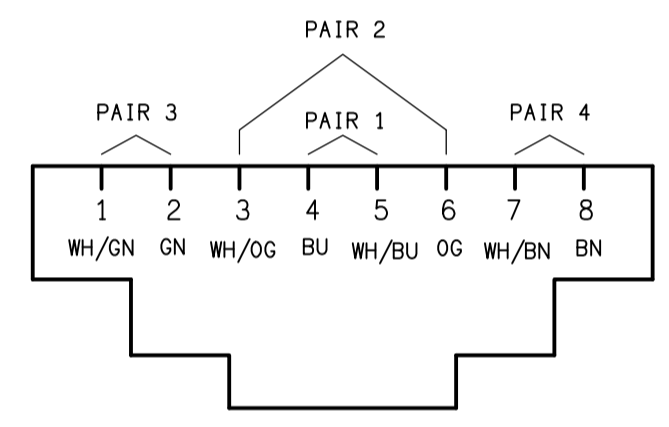
**EQUIPMENT:**

- TEST - TEST PUSH BUTTON MOUNTED ON THE DISTRIBUTION BOARD ESCUTCHEON.
- RESET - RESET PUSH BUTTON MOUNTED ON THE DISTRIBUTION BOARD ESCUTCHEON.
- LAMP - AMBER TEST INDICATING LAMP MOUNTED ON THE DISTRIBUTION BOARD ESCUTCHEON.
- Ta - ADJUSTABLE 0-3 HOUR TIMED RELAY.
- Tb - 15 MINUTE RUN-ON TIMER TO OPERATE UPON THE RETURN OF MAINS POWER.
- Cx - CONTACTOR x.
- CRx - CONTROL RELAY x.
- Rx - RELAY x.

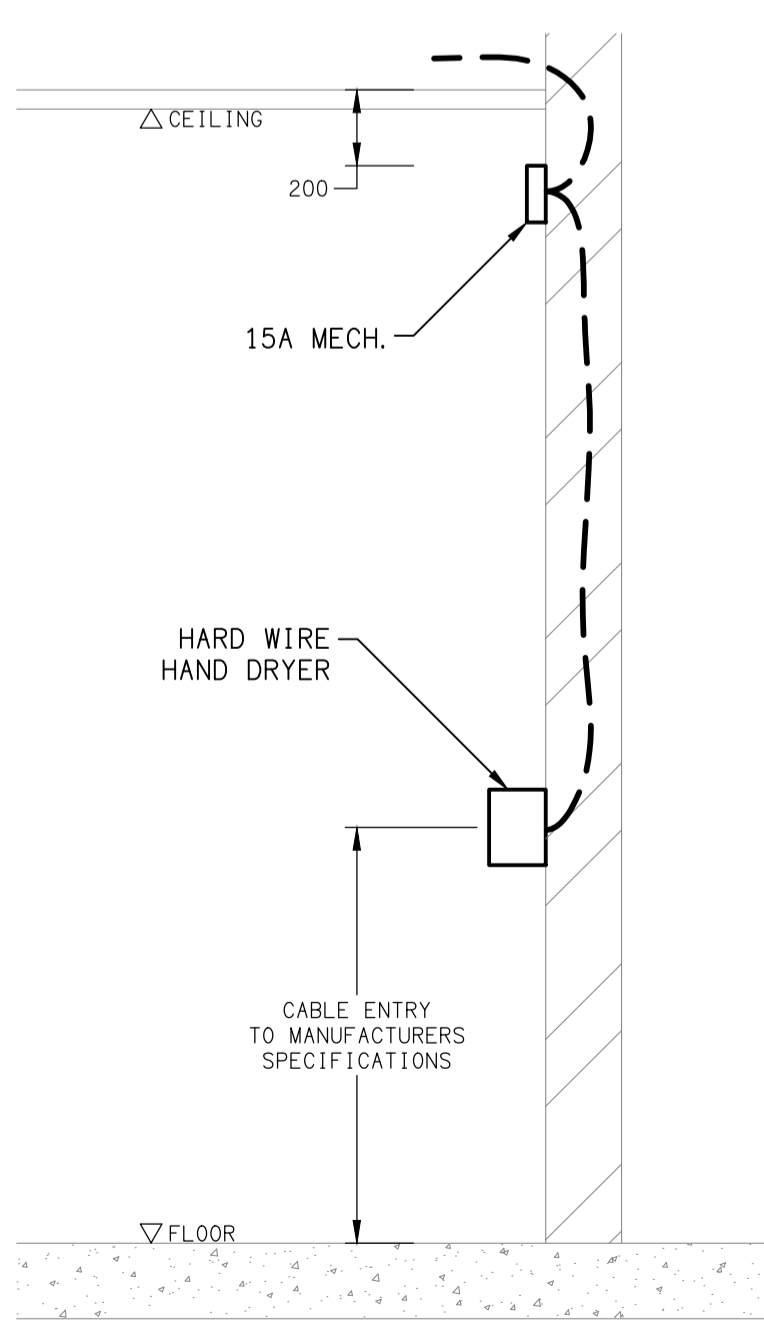


**NOTES**

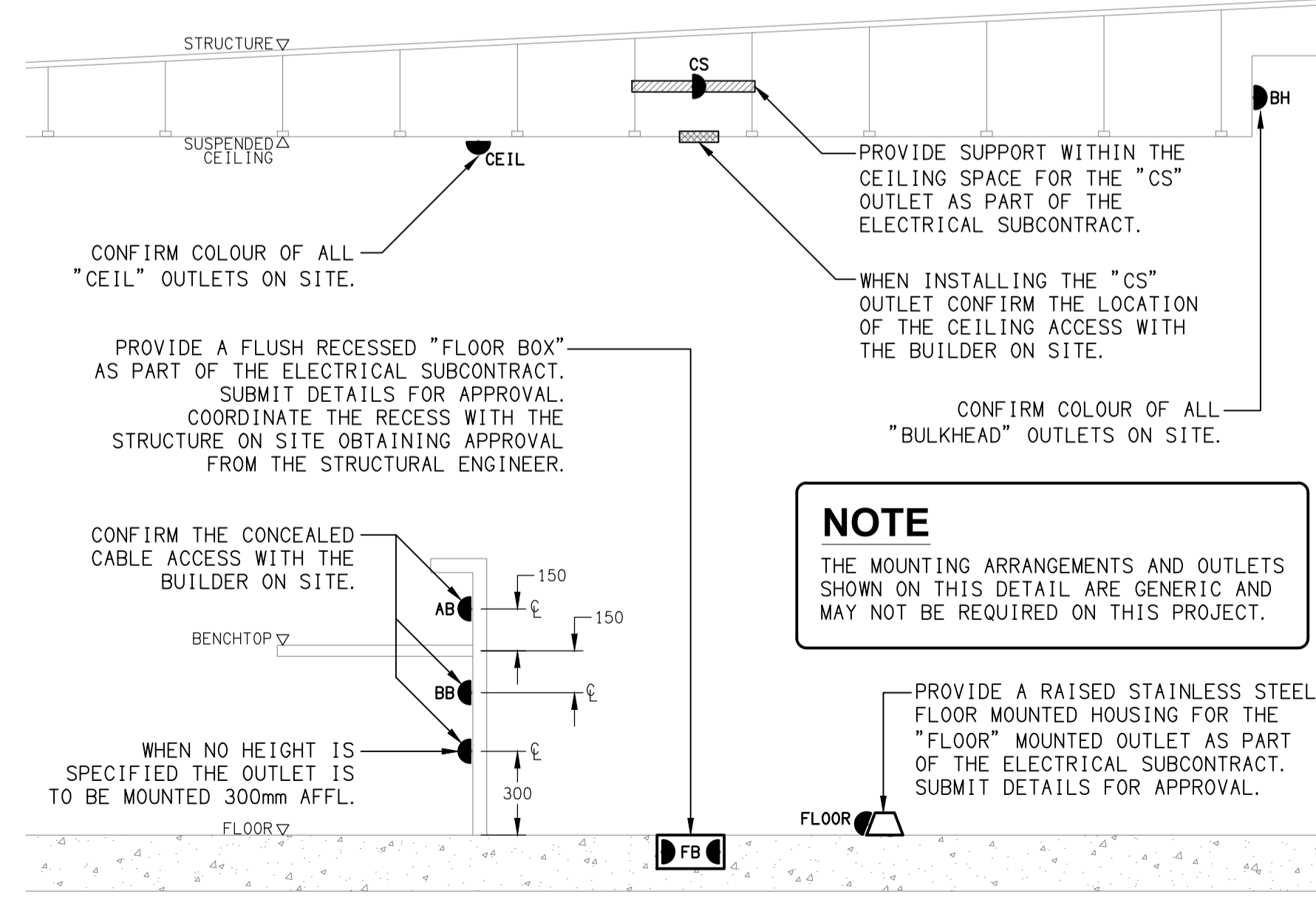
- THE EMERGENCY LIGHT UNSWITCHED ACTIVE / GENERAL LIGHTING SWITCHED ACTIVE CIRCUIT ARRANGEMENT AND CONTROL IS TYPICAL FOR ALL CIRCUITS SUPPLYING EMERGENCY LIGHTS.
- PROVIDE ADDITIONAL CONTROL RELAYS (CRx) CONFIGURED AS PER CRa AND CRb FOR ALL ADDITIONAL LIGHTING CIRCUITS THAT SUPPLY LIGHTS IN THE VICINITY OF THE EMERGENCY LIGHTS.



**SCHEMATIC**  
RJ45 PINOUT CONFIGURATION  
NOT TO SCALE



**DETAIL**  
HAND DRYER CONNECTION  
NOT TO SCALE



**DETAIL**  
TYPICAL OUTLET MOUNTINGS  
NOT TO SCALE

E	TENDER	14/10/2024
REV:	DESCRIPTION:	DATE:

**ELECTRICAL DESIGN GROUP**  
ELECTRICAL BUILDING SERVICES CONSULTANTS

BRISBANE: P.O. Box 15 Sherwood Qld 4075  
Phone: (07) 3278 4375  
Email: brisbane@edg.net.au  
Web: www.edg.net.au

ELECTRICAL DESIGN GROUP BRISBANE / TRADING AS: ELECTRICAL DESIGN GROUP  
PTY LTD  
ACN 092 710 793

PROJECT: **SUNNYBANK COMMUNITY SPORTS CLUB**

SITE ADDRESS: **470 McCULLOUGH STREET SUNNYBANK**

SCALE: NOT TO SCALE SHEET SIZE: AT A1

DRAWING TITLE: **ELECTRICAL SERVICES LEGEND, SCHEMATICS & DETAILS**

PROJECT NO. DRAWING NO. REVISION:  
**C3179a E01 E**